

11+ Mathematics - Sample Paper.

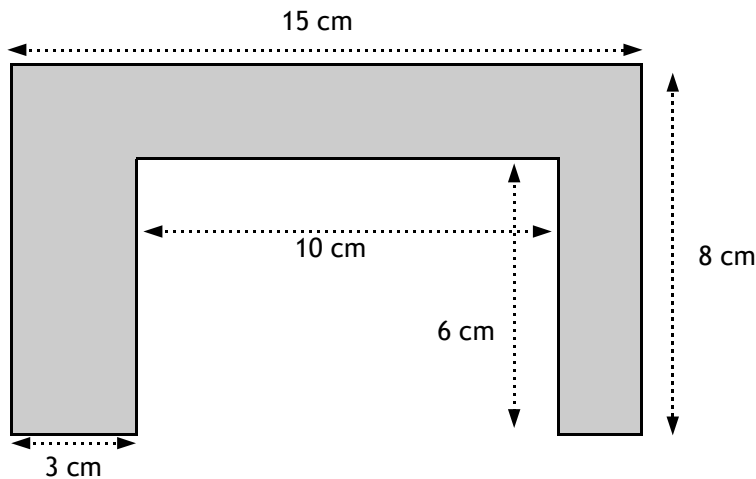
You have 35 minutes to complete this paper.



Q 1. Lucy goes to a Holiday Club every weekday for five weeks during the holidays. She pays £0.60 each time she goes.

How much does she pay in total during the holiday? £ _____

Q 2.



What is the area of this shape? _____ cm²

Q 3. Yvonne spends x pounds each day on her lunch at school. She spends y pounds each week on a bus pass to get her to and from school. How much does Yvonne spend altogether in 6 weeks? Place a cross in the appropriate box.

- A. $30y + 30x$
- B. $6x + 6y$
- C. $30y + 6x$
- D. $6y + 42x$
- E. $30x + 6y$

Q 4. Mrs Whiting bought 144 “lucky bags” for the Brownies Christmas party. They come packed in boxes of 16.

How many boxes of “lucky bags” did Mrs Whiting buy? _____

Q 5.

9	M	
	10	
13		

This is a magic square.
All the columns, rows and diagonals add up to 30.
Several numbers have been missed out.

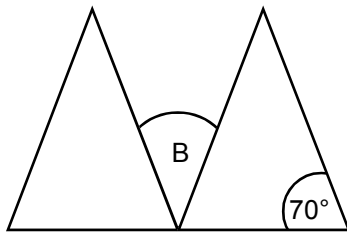
What number should replace the letter M ? _____

- Q 6. In a local sweet shop there 360 boxes of Belgian Chocolates.
48 are given away as prizes in a special Valentine's prize drawer.
192 are sold to the public at £4.60 a box.

How many boxes remain unsold? _____

- Q 7. Alexander's grandma is 5 times as old as Alexander was 3 years ago.
If Alexander's grandma is 60, how old is Alexander? _____

- Q 8. This shape has been created using two identical isosceles triangles.



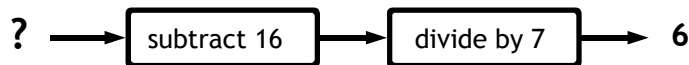
What is the angle at point B? _____ °

- Q 9. Mr and Mrs Fitzgerald take their 3 children to a special pop concert. Tickets cost £7.00 each for adults. The price of a child's ticket is half that of an adult's.

How much does it cost the family to visit the theme park? £ _____

£ _____

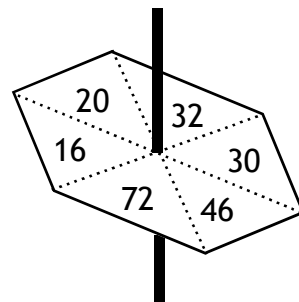
- Q 10. This is Sandra's function machine.



What number did she start with? _____

- Q 11. This spinner has an equal chance of landing on any of the numbers.

What is the chance that it will come to rest on a number that is a multiple of 6?



Write your answer as a fraction in its lowest possible terms. _____

Q 12.

Find the missing number so that the equation balances.

$$8 \times 9 - 16 = 7 \times 5 + \underline{\hspace{2cm}}$$

Q 13.

Colin has six 50 pence pieces, two 20 pence pieces, two ten pence pieces and five 5 pence pieces in her pocket.

How much money does he have in total?

£

Q 14.

Which one of the following numbers is a factor of 2, 5 and 6?

Circle the appropriate answers.

20 35 40 55 60

Q 15.

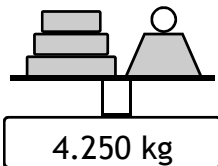
A box contains 2 blue pencils, 3 green pencils and 4 red pencils.

If I pick a pencil from the box at random (with my eyes shut), what is the probability that I will pick out a green one?

Circle the appropriate answer.

A. $\frac{2}{7}$ B. $\frac{1}{3}$ C. $\frac{1}{5}$ D. $\frac{1}{4}$ E. $\frac{2}{6}$

Q 16.



Roger places some weights on an electronic scale. He needs to make a total of 5.5 kg.

Which two of the weights below should he choose to make up the weight to the correct amount?Circle the two appropriate letters.

625g

A

750g

B

650g

C

400g

D

500g

E

Q 17.

This half term Martin has taken 7 tables tests. Here are his results out of 10:

8 5 9 4 6 4 8

What was his median score?

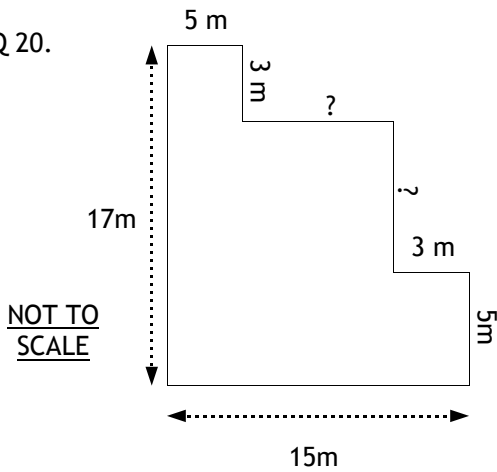
Q 18.

Calculate the following:

$$15000 \div 100 = \underline{\hspace{2cm}}$$

- Q 19. What fraction of a hour is 12 minutes?
Write your answer in its lowest possible terms. _____

- Q 20. This is a floor plan of Mr Buchanan's classroom.

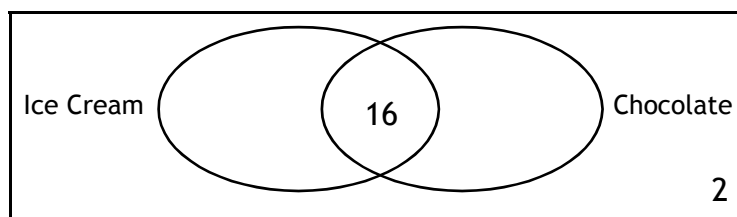


What is the total perimeter of the floor? _____ m

- Q 21. The ratio of flour to sugar in a cake is 7 : 4.
If 200g of sugar was used to make the cake, how much flour was used?

_____ g

- Q 22–23. Look at the Venn diagram below. It shows how many children in Mrs Thompson's class like chocolate, ice cream or both. 2 children like neither. There are 32 children in the class.



If 26 children like chocolate and 20 like ice cream:

- Q 22. How many children in the class do not like chocolate? _____

- Q 23. How many children only like one flavour? _____

- Q 24. Smoked Salmon crisps cost 47p per packet.
Sophie bought 5 packets for herself and her friends.

How much change would Sophie get from a £5 note? £ _____

Q 25. There are 12 sticks of “Minty Fresh” chewing gum in a pack.
 How many packs could you make from 216 sticks of gum? _____ packs

Q 26. The local book shop has a sale.
 Every item in the shop is reduced by 25%.
 Melanie buys a set of encyclopaedias.
 The set normally costs £30.00.
 How much does Melanie have to pay for the books in the sale? £ _____

Q 27. In the same book shop Melanie’s little brother, Robert,
 bought a picture book for £1.50.
 What was the price of the picture book BEFORE the sale started? £ _____

Q 28. How many faces has a octagonal prism?

Q 29 - 30.

Q 29. What are the co-ordinates of the points at letter U and letter S? U _____ , _____
 S _____ , _____

Q 30. If you joined the points in alphabetical order, then back to S,
 what shape would you have drawn? _____

You are at the end of the test. If you have time, go back and check your work.

 6

11+ Mathematics Sample Paper.

Answer Sheet

1.

£12.00	[]
£14.00	[]
£15.00	[]
£17.50	[]
£18.00	[]

2.

72 cm ²	[]
100 cm ²	[]
90 cm ²	[]
48 cm ²	[]
60 cm ²	[]

3.

A	[]
B	[]
C	[]
D	[]
E	[]

4.

9	[]
8	[]
14	[]
12	[]
6	[]

5.

15	[]
19	[]
16	[]
14	[]
13	[]

6.

140	[]
135	[]
110	[]
120	[]
105	[]

7.

15	[]
11	[]
12	[]
14	[]
13	[]

8.

60°	[]
70°	[]
35°	[]
40°	[]
50°	[]

9.

£24.00	[]
£24.50	[]
£20.50	[]
£28.00	[]
£26.50	[]

10.

58	[]
72	[]
54	[]
66	[]
60	[]

11.

1/6	[]
2/3	[]
3/4	[]
1/3	[]
2/6	[]

12.

35	[]
31	[]
27	[]
25	[]
21	[]

13.

£3.75	[]
£4.15	[]
£3.50	[]
£3.60	[]
£3.85	[]

14.

20	[]
35	[]
40	[]
55	[]
60	[]

15.

A	[]
B	[]
C	[]
D	[]
E	[]

16.

A	[]
B	[]
C	[]
D	[]
E	[]

17.

6	[]
7	[]
5	[]
9	[]
8	[]

18.

15.00	[]
150.00	[]
1500.00	[]
1.50	[]
00.15	[]

19.

3/8	[]
3/10	[]
1/3	[]
1/5	[]
3/10	[]

20.

80m	[]
48m	[]
72m	[]
144m	[]
64m	[]

21.

400g	[]
350g	[]
250g	[]
325g	[]
275g	[]

22.

6	[]
8	[]
10	[]
12	[]
4	[]

23.

12	[]
14	[]
16	[]
10	[]
4	[]

24.

£2.35	[]
£2.50	[]
£3.10	[]
£2.65	[]
£1.95	[]

25.

18	[]
15	[]
12	[]
22	[]
14	[]

26.

£15.00	[]
£21.50	[]
£17.50	[]
£22.50	[]
£20.00	[]

27.

£2.00	[]
£3.50	[]
£1.95	[]
£2.20	[]
£3.00	[]

28.

10	[]
7	[]
9	[]
8	[]
6	[]

29.

U (2 , 6) S (6 , 4)	[]
U (6 , 2) S (6 , 4)	[]
U (2 , 6) S (2 , 6)	[]
U (6 , 2) S (4 , 6)	[]
U (6 , 8) S (6 , 2)	[]

30.

Parallelogram	[]
Pentagon	[]
Rhombus	[]
Trapezium	[]
Kite	[]

11+ Mathematics Sample Paper. Answers

1	£15.00	11	1/3	21	350g
2	60 cm ²	12	21	22	6
3	E	13	£3.85	23	14
4	9	14	60	24	£2.65
5	14	15	B	25	18
6	120	16	B and E	26	£22.50
7	15	17	6	27	£2.00
8	40°	18	150	28	10
9	£24.50	19	1/5	29	U (6 , 2) S (4 , 6)
10	58	20	64 m	30	Parallelogram

IPS Educational Publishing

Eleven Plus Mathematics papers.

To purchase a book containing a further 10 papers visit:

www.elevenplus.com