



11+ MATHEMATICS

SAMPLE EXAMINATION PAPER 2

30 minutes.

Section A - MULTIPLE CHOICE

Circle the correct answer to the questions in this section.

1. Which of these numbers is a multiple of 15?

A: 5

B: 30

C: 1

D: 40

E: 160

2. 12 is $\frac{3}{4}$ of what number?

A: 4

B: 3

C: 9

D: 16

E: 36

3. The most likely height of a mug is?

A: 30 cm

B: 9 mm

C: 95 mm

D: 3cm

E: 950 mm

4. If I buy 5 pencils costing 54p each. How much change do I get from £5?

A: £2.70

B: £3.30

C: £4.46

D: £2.30

E: £3.70

5. How many minutes are there in 1 and a three-quarter hours?

A: 105

B: 175

C: 125

D: 85

E: 1.75

Section B

Show your working when answering these questions

6. Work out $2584 + 218$

.....

7. Work out 43×59

.....

8. Work out leaving any fractions in their **simplest** form

c) $\frac{5}{8}$ of 40

.....

9. Put the following numbers in order of size from smallest to biggest

$$\frac{5}{6}, \quad \frac{2}{3}, \quad 0.03, \quad 0.8, \quad \frac{13}{18}$$

_____, _____, _____, _____, _____

10. A hotel rents out their function room for weddings, the cost of hiring the room is £600 plus £50 for each guest attending.

a) Fill in the missing values in the formula to work out the cost of hiring the hotel for a wedding.

Total Cost = _____ + _____ × number of guests

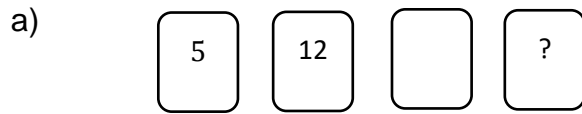
b) How much would a wedding for 70 guests cost?

£.....

c) The total cost for a wedding is £6100. How many guests are attending the wedding?

.....guests

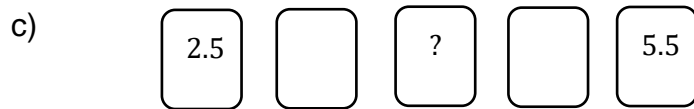
11. The numbers on the cards go up in equal steps. For each sequence write down what number should replace the question mark.



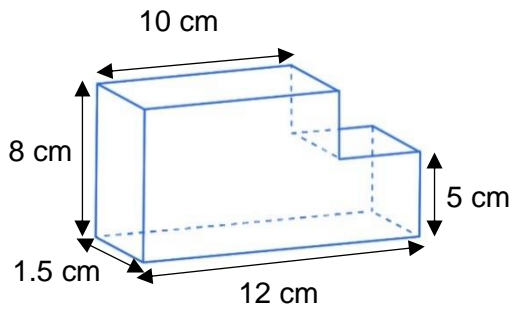
.....



.....

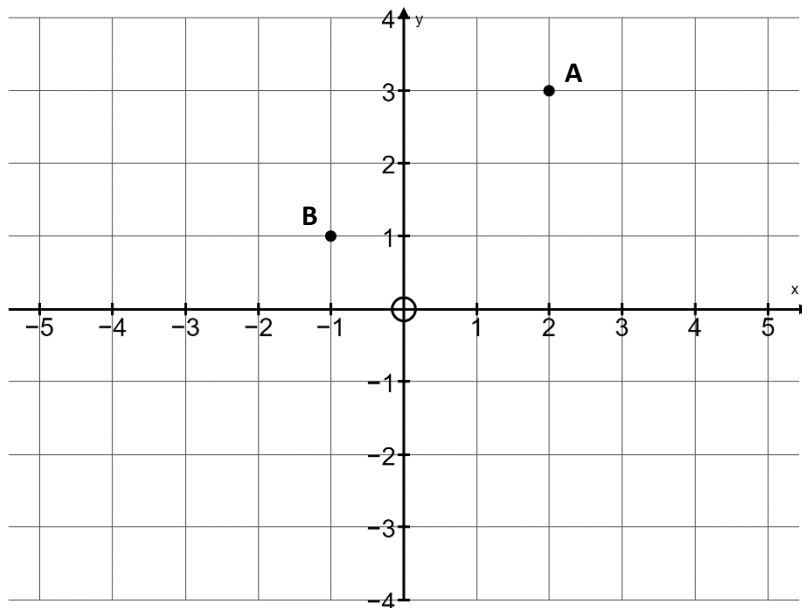


12. Find the volume of the prism in the diagram. The diagram is **not** drawn to scale



.....cm³

13. Look at the coordinate grid below



a) Write down the coordinates of the points A and B

A (.....,) B (.....,)

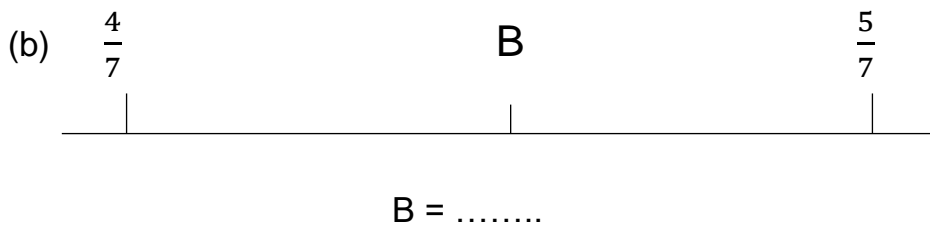
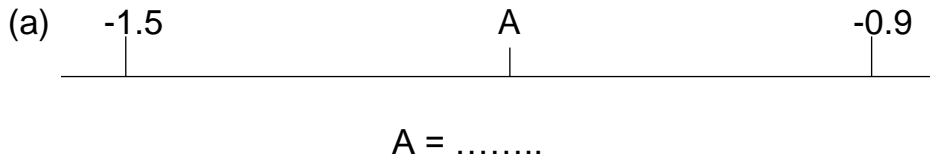
b) On the same grid plot the coordinate (-1, -2). Label this coordinate C.

c) The three coordinates join to make triangle ABC. Reflect triangle ABC in the $y - axis$

d) Each square on the grid represents one square unit of area. What is the area of triangle ABC in square units?

.....square units

14. These pictures show parts of a scale with equal gaps between each marking. What number should replace each letter?



15. A train travels at constant speed, if the train travels 90km in 30 minutes. How long will it take the train to travel 150 km?

.....minutes

16. A number has 6 digits. The last digit is 4. If the 4 is moved to the front of the number it becomes 4 times greater. What is the number?

.....

17. This crossword has numbers instead of letters, fill in the cross number to make all the clues correct. There is more than one way it can be correctly completed.

1	2	3
4		
5		

Across Clues

- 1) An even cube number
- 4) The square of a prime number
- 5) A prime number

Down Clues

- 1) Double a square number
- 2) A prime number
- 3) A prime number